

SNV02

Needle Valves made of Stainless Steel, High Pressure Version

- Max. pressure PN 250 and PN 400
- Medium temperatures until 250 °C
- For nominal pipe sizes from 1/8" to 2"
- Process connections G or NPT
- Wetted parts made of stainless steel 1.4571, packing made of PTFE or graphite



Description:

PKP needle valves model SNV02 accurately regulate the flow of liquids in piping systems.

The devices are designed in two parts, the upper part is screwed into the base and is sealed with PTFE or graphite packing.

Typical applications:

Versions are available in stainless steel 1.4571 for nominal sizes 1/8" to 2" G- or NPT- screw threads, and for two nominal pressures (PN250 or PN400) These device versions can be used in a wide range of applications.

Models:

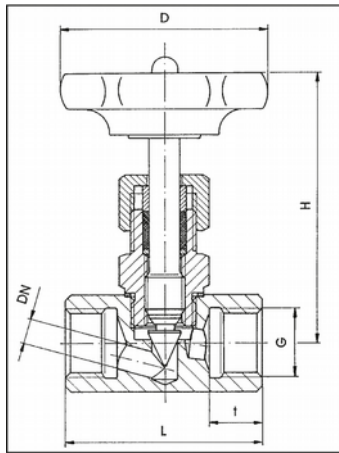
SNV02.G:	Thread connection G, acc. to DIN / ISO 228
SNV02.N:	Thread connection NPT, acc. to ANSI / ASME B1.20.1-1983

Nominal pressures:

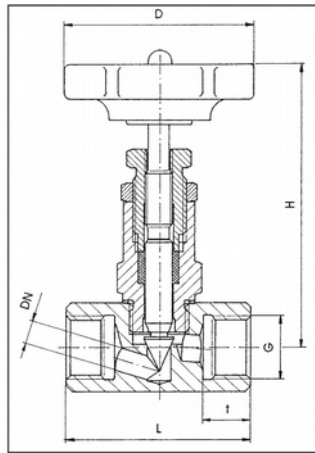
SNV02.x.x.1:	PN 250
SNV02.x.x.2:	PN 400

Dimensions:

PN 250



PN 400



Process connection G	Dimensions in mm				Kvs-value* [l/min]
	L screw thread G	L screw thread NPT	H	D	
PN 250					
1/8	45	50	74	50	4,5
1/4	50	55	73	50	8
3/8	55	60	72	50	9
1/2	60	65	83	63	15
3/4	75	80	100	63	28
1	100	105	110	80	42,5
1 1/4	120	125	135	100	70
1 1/2	130	135	140	100	93
2	160	165	150	100	120
PN 400					
1/8	45	50	94	50	4,5
1/4	50	55	93	50	8
3/8	55	60	92	50	9
1/2	60	65	96	63	15
3/4	75	80	108	63	28
1	100	105	123	80	42,5

Special versions:

- Compression fitting to DIN 2353, series S and L
 - Clamp tapered ring screw joints
 - Non-standard sizes up to 4"
 - Maximum pressure version up to 630 bar
- on request

Order Code:

Order number:	SNV02.	G.	1.	1.	15.	0
Needle Valve made of stainless steel, high pressure version						
Model: G = G-screw thread N = NPT-screw thread S = Special connection						
Process connection: 1 = Female thread at both sides 2 = Female/male thread 3 = Male thread at both sides						
Max. pressure: 1 = PN 250 2 = PN 400 9 = Special version						

Nominal pipe size:

06 = 1/8"
08 = 1/4"
10 = 3/8"
15 = 1/2"
20 = 3/4"
25 = 1"
32 = 1 1/4"
40 = 1 1/2"
50 = 2"

Options:

0 = without
2 = high temperature version up to 250 °C
9 = please specify in plain text

Technical Data:

Material:

Housing:	stainless steel 1.4571
Packing:	standard up to 100 °C: PTFE high temperature up to 250 °C: graphite

Max. pressure:

PN 250 / PN 400
acc. to Model Code

Max. medium temperature:

standard: 100 °C
high temperature: 250 °C



PKP Prozessmesstechnik GmbH
Borsigstr. 24 • D-65205 Wiesbaden
☎ +49 (0) 6122-7055-0 • 📠 +49 (0) 6122 7055-50
✉ info@pkp.de • 🌐 www.pkp.de

PKP Process Instruments Inc.
10 Brent Drive • Hudson, MA 01749
☎ +1-978-212-0006 • 📠 +1-978-568-0060
✉ info@pkp-usa.com • 🌐 www.pkp-usa.com