

PMR06

Precision Pressure Gauge

- Accuracy class 0.6
- Nominal sizes: 160 and 250 mm
- Designs with brass connection and stainless steel housing or completely in stainless steel
- Measuring ranges from -1200...0 mbar up to 0...1600 bar
- With or without liquid filling for vibration dampening
- Fast delivery



Description:

Model series PMR06 precision pressure gauges operate according to the Bourdon tube principle. They can be supplied in brass or stainless steel versions, with filled or unfilled gauges. A coiled, drawn brass or stainless steel tube filled with the fluid or gas being monitored is deformed to an extent depending on the pressure exerted by the fluid or gas. The resulting movement of the coil is transmitted to an indicator mechanism with a graduated display. This movement can be dampened by means of an optionally available liquid filling so that any vibrations have far less impact on the accuracy and stability of the reading. The natural lubricating properties of this liquid filling also reduce wear to moving parts, entry of caustic/corrosive gases and accumulation of condensation. The stainless steel version allows pressure measurement of even the most caustic liquids and gases. These pressure gauges are fitted with a threaded connection at the bottom or on the back.

Applications:

Model series PMR06 precision pressure gauges are used wherever precise pressure measurements have to be performed. For mobile use, designs are available with gauge in a carrying case, including shut-off valve and connection fittings. Stainless steel versions are designed to withstand contact with the very caustic/corrosive media often encountered in the chemical and petrochemical industries, the food and beverage industries, pharmaceutical production processes or in power plants, where they have provided the best service for decades.

Designs:

Nominal size: Housing diameter 160 or 250 mm

Materials:


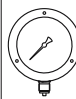
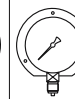
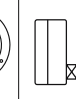
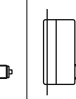
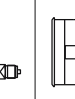
PMR06.x.M: Housing of stainless steel 1.4301, measuring element of copper alloy As of 100 bar, stainless steel, connection of brass

PMR06.x.E: Housing of stainless steel 1.4301, measuring element and connection of stainless steel 1.4571

Process connection: G1/2 or 1/2" NPT at bottom or on back

Vibration dampening: Optional with glycerin filling

Measuring Ranges:

Measuring range (bar)	Bestellcode					
						
	For all nominal sizes					Not for NG 250
-1200...0 mbar	A17	B17	C17	D17	E17	F17
-1...0	A16	B16	C16	D16	E16	F16
-0.6...+1.0	A18	B18	C18	D18	E18	F18
-1...+0.6	A42	B42	C42	D42	E42	F42
-1...+1.5	A43	B43	C43	D43	E43	F43
-1...+3	A44	B44	C44	D44	E44	F44
-1...+5	A45	B45	C45	D45	E45	F45
-1...+9	A46	B46	C46	D46	E46	F46
-1...+15	A49	B49	C49	D49	E49	F49
0...0.6	A67	B67	C67	D67	E67	F67
0...1	A69	B69	C69	D69	E69	F69
0...1.6	A70	B70	C70	D70	E70	F70
0...2.5	A72	B72	C72	D72	E72	F72
0...4	A73	B73	C73	D73	E73	F73
0...6	A74	B74	C74	D74	E74	F74
0...10	A75	B75	C75	D75	E75	F75
0...16	A76	B76	C76	D76	E76	F76
0...25	A78	B78	C78	D78	E78	F78
0...40	A79	B79	C79	D79	E79	F79
0...60	A80	B80	C80	D80	E80	F80
0...100	A81	B81	C81	D81	E81	F81
0...160	A82	B82	C82	D82	E82	F82
0...250	A84	B84	C84	D84	E84	F84
0...400	A86	B86	C86	D86	E86	F86
0...600	A87	B87	V87	D87	E87	F87
0...1000	A88	B88	C88	D88	E88	F88
0...1600	A89	B89	C89	D89	E89	F89

Model Coding:

Order number: PMR06. 16. M. 1. 0. A75. 0. 0

Precision pressure gauge

Design:

16 = 160 mm
25 = 250 mm

Materials:

M = Housing of stainless steel, connection of brass
E = Housing of stainless steel, connection of stainless steel
S = Special materials (please specify in writing)

Process connection:

1 = G 1/2 at bottom
2 = G 1/2 eccentric on back
3 = 1/2" NPT at bottom
4 = 1/2" NPT eccentric on back
9 = Custom connection

Vibration dampening:

0 = None
1 = With glycerin filling

Design and measuring ranges:

A17...F89 = see "Measuring Ranges" table

Supplementary electrical devices

0 = None

Options and accessories (more than one may be selected)

0 = None
xx = see "Options and Accessories" table

Technical Details:

Housing: Round gauge housing of stainless steel, d = 160 or 250 mm
Protection type IP45

Liquid-filled design: Glycerin filling, with pressure-relief opening and inside pressure equalization
Protection type IP65

Stainless steel version: with pressure-relief opening (optional for increased safety with solid baffle wall and blow-out back)

Pressure responsive element:

PMR06.xx.M: Bourdon tube, up to 60 bar copper alloy, soft soldered As of 100 bar, stainless steel 1.4571, brazed

PMR06.xx.E: Bourdon tube of stainless steel 1.4571

Indicator element:

PMR06.xx.M: Brass, moving parts of nickel silver

PMR06.xx.E: Stainless steel 1.4571/1.4301

Dial face: Aluminum, white, black characters, as per EN 837-1

Viewing window:

PMR06.xx.M: Instrument glass

PMR06.xx.E: Multilayer safety glass

Accuracy: Class 1.0

Maximum liquid temperature: 60°C, for PMR06.xx.M up to 60 bar, 100°C for all other devices

Overload protection: Short-term 1.3 times

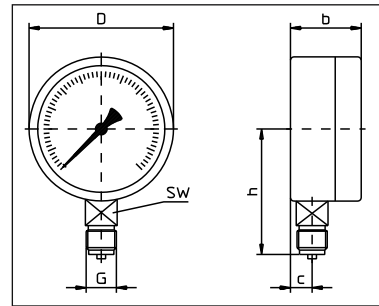
Options and Accessories

Description	Code	For model PMR06...
Design for increased safety (solid baffle wall and blow-out back)	ES	x.E..., unfilled, not for NG 250 only designs A,B
Bright metal bezel	FP	designs B,E,F
Housing suitable for tropical climates	GT	only unfilled devices
Indicator element of stainless steel	ZE	x.M... unfilled
Multiple-scale	SM	all models
Scale labeling	SA	all models
Print plate for creating special scale (single color or multi-colored)	SS1 SSx	all models
Measuring system free of oil and grease for use with oxygen	MO	all models
Measuring system free of silicone	MS	all models
Glycerin filled	FG	all models
Pressure throttling screw in the connection, d = 0.8 or 0.3 mm	D08 D03	all models
Process connection G 1/4 female thread, G 3/8 B, 3/8", Small flange DN10, stainless steel	Px	all models only x.E...
Red graduations on dial face	MR	all models
Red gliding mark pointer in the viewing window	ZR	all models
Maximum pointer, can be reset, 1 or 2	ZS1 ZS2	all models
Adjustable pointer on bushing	ZZ	all models
Can be calibrated as per calibration regulations	E	all models
Test log	P	all models
Factory certificate as per EN-10204, 2.1, 2.2, 2.3, 3.1B	Wxxx	all models
Carrying case with pressure gauge Shut-off angle valve and accessories	TK	only NG 160

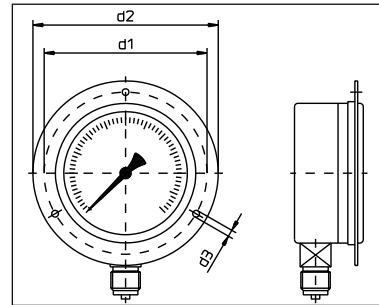
Dimensions:

Measurement:	Dimensions in mm	
	NG 160	NG250
b	50	55
b1	56	61
b2	88	93
c	14.5	16
c1	50	50
D	161.3	251
d1	178	271
d2	196	285
d3	5.8	5.8
d4	166	---
h	118	165
Size A/F	22	22
Weight (kg)	1.1	2.2

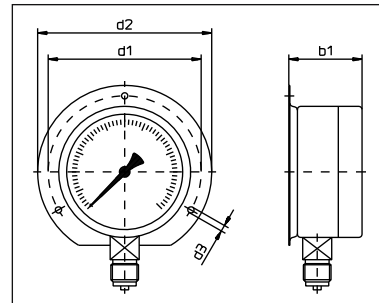
Designs



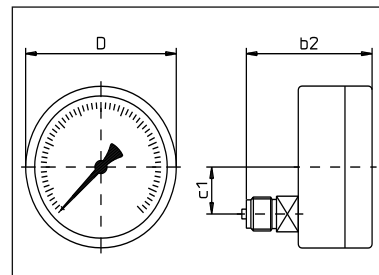
Design A:
Connection at bottom



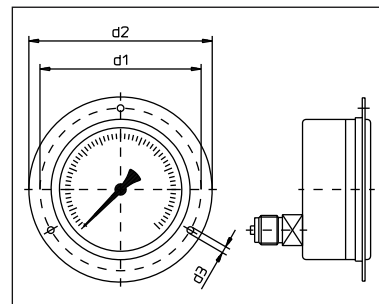
Design B:
Connection at bottom,
rim at front



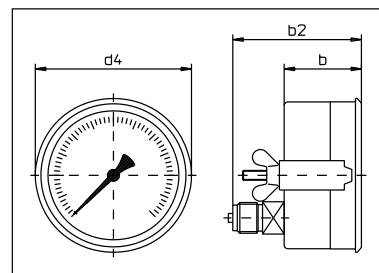
Design C:
Connection at bottom,
rim at back



Design D:
Connection on back



Design E:
Connection on back,
rim at front



Design F:
Connection on back,
Triangular front ring
and retaining clip

Precision Pressure Gauge in Test Case

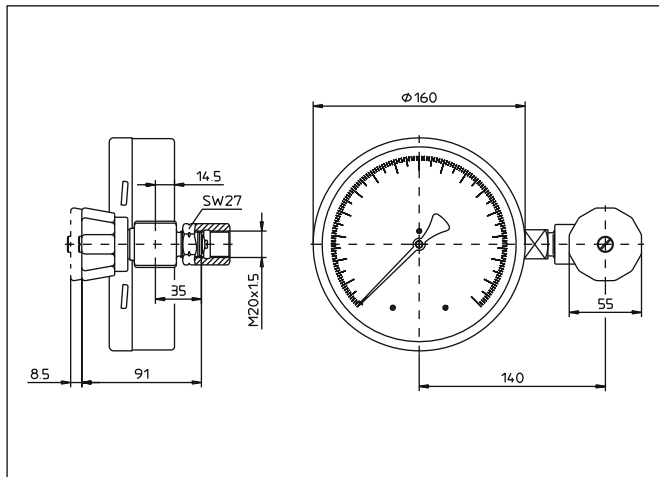
Design ...TK

For mobile use, models PMR06.16, etc. can be supplied in a carrying case complete with assembly fittings

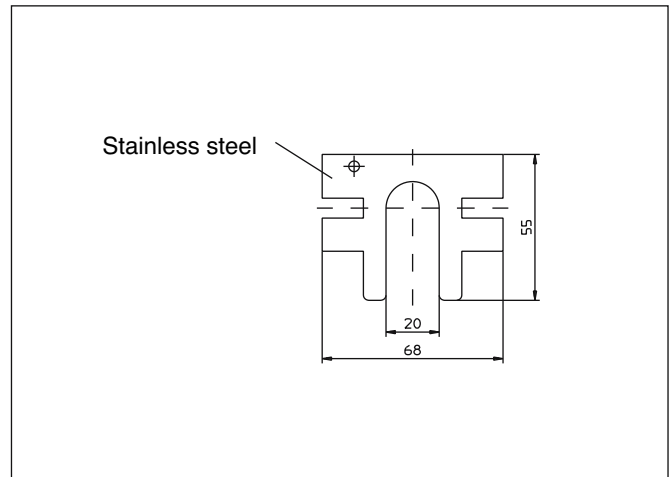
The mounting fittings include:

- Shut-off angle valve
- Socket clamp M20x1.5 - LH /RH as per DIN 16238
- Transition piece with test flange and accessories
- Branched connection for test flange
- Sturdy carrying case
- Test log

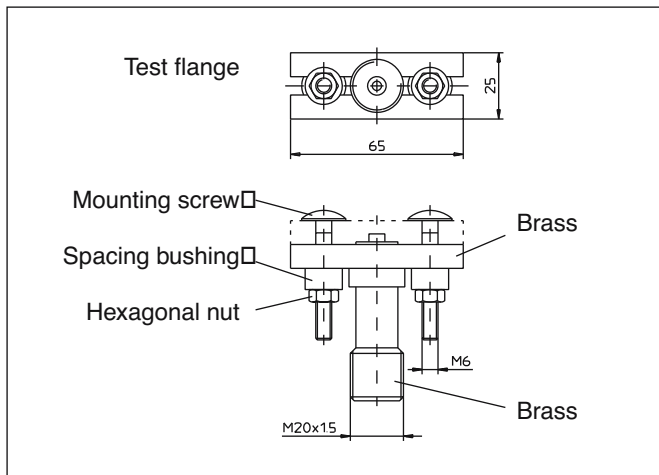
Dimensions



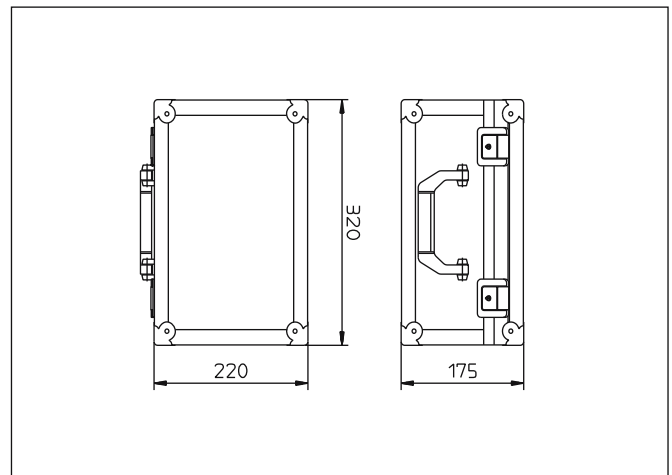
PMR06.16... with shut-off angle valve and socket clamp



Branched connection for test flange



Transition piece with test flange



Carrying case