

FS15

Miniature stainless steel level switch for side mounting

- compact design
- one mechanically moveable part only
- horizontal mounting into tank wall
- complete of stainless steel
- max. pressure: 5 bar
- max. temperature: 120 °C



Description:

The level switch model FS15 works according to the magnetic float principle. The float is lifted upwards by the rising liquid level in the tank until the magnetic field of the integrated permanent magnet activates a Reed contact. Depending on the way of installation the level switch works as a N/O or a N/C switch.

Typical applications:

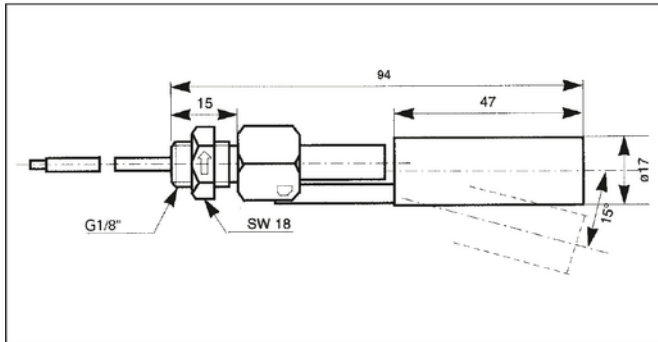
The float level switch FS15 is designed to monitor the level of nearly all liquids. FS15 may be used as MIN, MAX monitor, to control valves or pumps or as an alarm switch. By the use of potential-free Reed contacts the FS15 level switches are the ideal switches for SPS- controls.

Models:

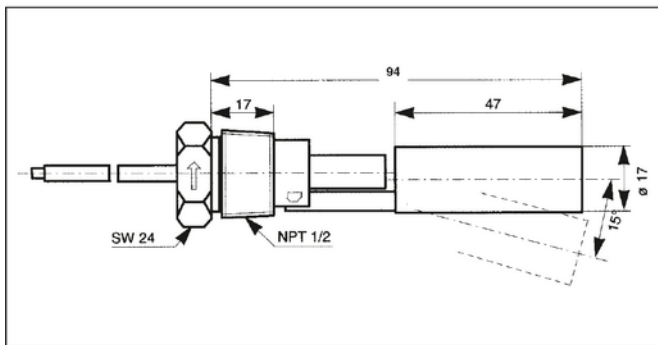
- level switch for general applications made of stainless steel
- male thread G 1/8 or 1/2" NPT or 1/2 G

Dimensions:

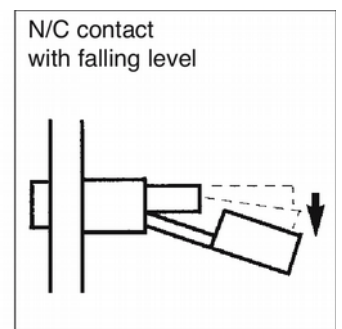
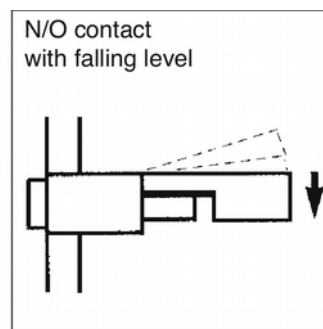
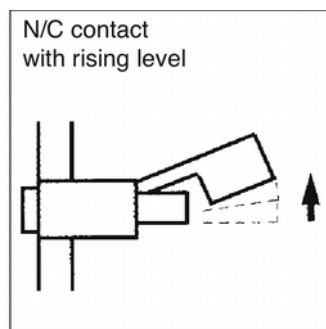
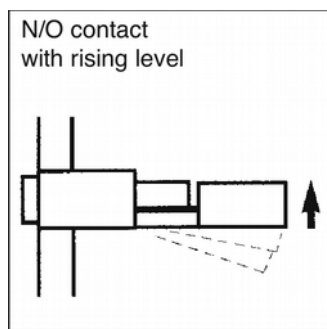
FS15.1



FS15.2



Mounting and contact functions:



Order Code:

Order number:

FS15. 1. 0

Miniature stainless steel level switch for side mounting

Connection:

- 1 = G 1/8 male thread
- 2 = 1/2" NPT male thread
- 3 = G 1/2 male thread

Options:

- 0 = without
- 9 = please specify in plain text

Technical Data:

Connection cable: 0,5 m FEP-wire

Threaded connection: G 1/8 male thread or 1/2" male thread (G or NPT)

Material: completely made of stainless steel 1.4301

Contact function: N/C or N/O, depending on mounting

Contact rating: 250 V, 50 VA, 0,5 A

Max. pressure: 5 bar

Max. med. temperature: 120 °C

Min. medium density: 0,8 kg/l