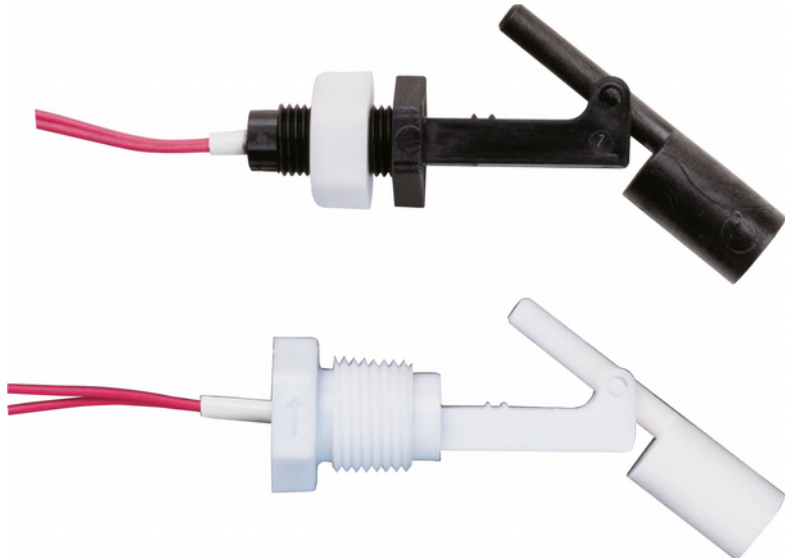


# FS14

## Miniature plastic float level switch for side mounting

- compact design
- one mechanically moveable component only
- horizontal mounting into tank wall
- PP or PA66 version available
- max. pressure: 1 bar
- max. temperature: 110 °C



### Description:

The level switches model FS14 work according to the magnetic float principle. The float is lifted upwards by the rising liquid level in the tank until the magnetic field of the integrated permanent magnet activates a Reed contact. Depending on the way of installation the level switch works as a N/O or a N/C switch.

### Typical applications:

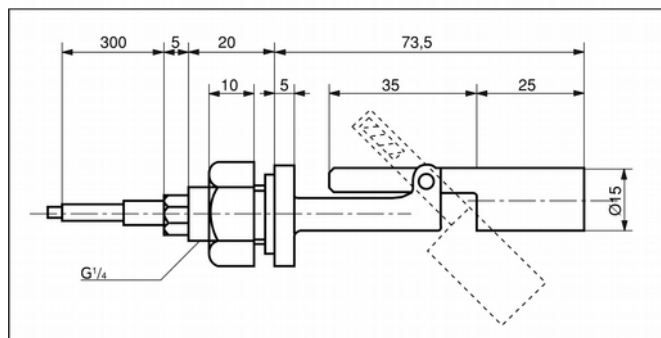
The float level switches FS14 are designed to monitor the level of nearly all liquids which do not affect the used materials, for example as HIGH- or LOW-alarms or for controlling valves and pumps.

## Models:

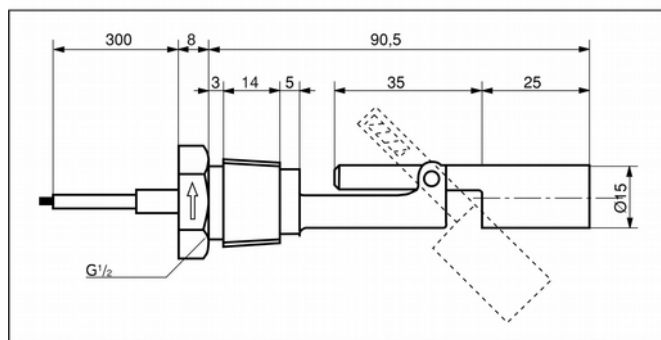
- low-cost level switch made of PP or PA66
- threaded connection G 1/4 or 1/2" NPT

## Dimensions:

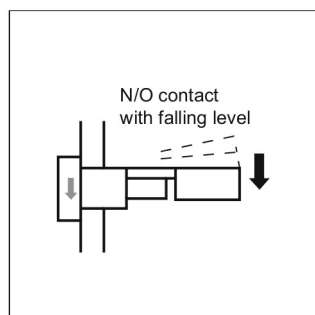
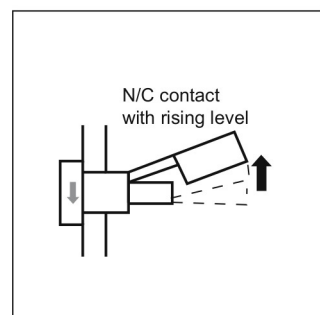
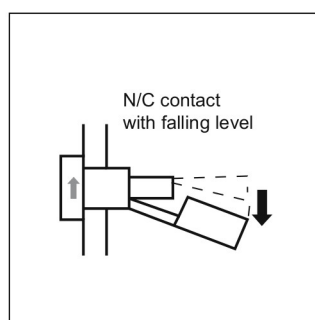
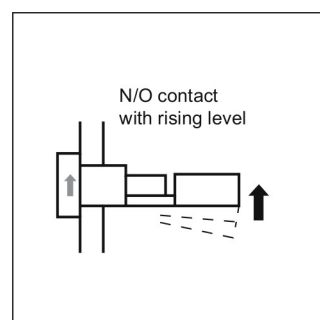
FS14.1



FS14.2



## Mounting and contact functions:



## Order Code:

Order number: **FS14. 1. 1. 2. 0**

Miniature plastic float level switch

### Connection:

- 1 = G 1/4 male thread
- 2 = 1/2" NPT male thread

### Material:

- 1 = Polypropylene
- 2 = PA66

### Contact:

2 = 300 VDC/AC 0,5 A, 50 VA

### Options:

- 0 = without
- 9 = please specify in plain text

## Technical Data:

Connection cable: 0,3 m PE-wire

### Threaded connection:

- FS14.1: G 1/4 male thread with counter nut
- FS14.2: 1/2" NPT AG

### Material:

- FS14.x.1: PP
- FS14.x.2: PA66

### Contact function:

N/C or N/O  
(300 V, 0,5 A, 50 VA)  
at rising level,  
depending on way of installation

Max. pressure: 1 bar

### Max. medium temperature:

- FS14.x.1: -10 ... +80 °C
- FS14.x.2: -10 ... +110 °C

Min. medium density: 0,8 kg/l