

# DS49

## Variable Area Flow Switch with Hose Nozzle

- for low viscosity liquids
- small, compact design, any mounting position
- high reliability
- high switch accuracy
- stepless adjustment of the switching point
- high pressure resistance
- hose connection
- ranges: 0,005...0,06 l/min up to 1...5 l/min
- $P_{\max}$ : 16 bar,  $T_{\max}$ : 100 °C



### Description:

The model DS49 flow switch work according to the modified variable area principle. The float is guided with a spring in a conical measuring tube. The flowing medium moves the float in the flow direction.

Externally a Reed contact is attached on the device. This Reed contact is cast in a free adjustable housing and thereby protected from external influences. When the float with its integral magnet reaches the position of the Reed contact, the contact blades will close. If the flow increases, the float will move further (at maximum until it reaches the stop. Which prevents an overrun of the switching range). Therefore a bistable switching process is given.

### Typical application:

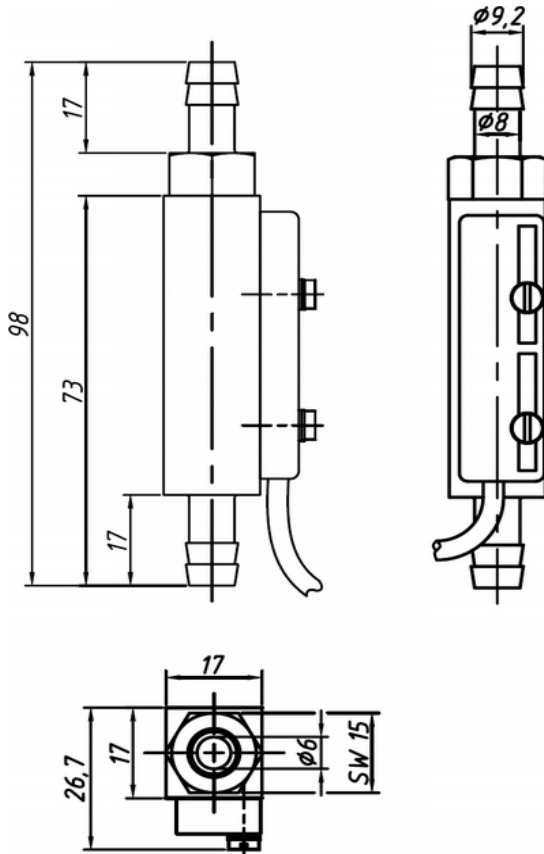
The flow switch DS49 serve for monitoring of low-viscosity media, e.g. cooling systems of welding machinery, medical technology, chemical industry, laser- and tube plants, pump control, compressor units, high pressure cleaner etc.

## Wetted Parts:

<b>Spring:</b>	stainless steel 1.4571
<b>Gaskets:</b>	NBR (optional FKM, EPDM)
<b>Magnets:</b>	hard ferrite
<b>Housing:</b>	brass blank

All other parts in contact with the medium: brass

## Dimensions:



## Electrical Data:

<b>N/O:</b>	200 V, 1 A, 20 VA
<b>Protection class:</b>	IP67: 1 m connected cable
<b>Output signal:</b>	the contact opens when the flow exceeds the adjusted switching point.
<b>Power supply:</b>	not required (potential free reed contacts)

Other cable length on request

## Order Code:

**Order number:** DS49. 8S. 1. 1. W3. 1. 1. 0

**Variable area flow switch with hose nozzle**

### Connection:

8S = hose nozzle for  
inner hose diameter = 8 mm

### Material:

1 = brass

### Scale:

1 = for water

### Measuring range :

W01 = 0,005 – 0,06 l/min

W02 = 0,04 – 0,13 l/min

W06 = 0,1 – 0,6 l/min

W1 = 0,2 – 1,2 l/min

W2 = 0,4 – 2 l/min

W3 = 0,5 – 3 l/min

W5 = 1 – 5 l/min

(The specified values are switch-off points, other switching ranges on request)

### Number of contacts:

1 = 1 contact

### Contact function:

1 = N/O

### Options:

0 = without

1 = please specify in plain text

## Accessories:

- Needle valves SNV01, SNV02
- Ball valves
- Strainers
- Contact protection relay

## Technical Data:

<b>Measuring ranges</b>	see order code
<b>Max. operating pressure:</b>	PN 16
<b>Pressure loss:</b>	0,02 – 0,2 bar
<b>Max. temperature:</b>	100 °C
<b>Accuracy:</b>	±10 % of full scale
<b>Mounting position:</b>	any