

# DR58

## Brass Paddle Wheel Flowmeter

- for liquids
- measuring ranges:  
50...3000 l/h (G ¾ male),  
100...5000 l/h (G 1 male)
- robust housing made of brass
- no inlet and outlet pipe runs needed
- max. pressure: 10 bar
- max. temperature: 80 °C
- optionally with built on display and control unit



### Description:

The plastic paddle wheel flow meter of the DR58 series measure the flow of water and water-like media. They consist of a sensor and an optional transmitter.

The sensor has a paddle wheel which is mounted in a housing made of POM or ECTFE and is rotated by the flowing medium. This rotary motion is picked up by a Hall sensor system and emitted as a flow-proportional frequency signal. A convenient control unit with display is available as an option, which can also be mounted on the flow meter.

### Typical applications:

The DR58 impeller flow meters are very resistant to many process media due to their robust design made of brass. Almost all low-viscosity liquids can be measured reliably and cost-effectively with this device.

- cooling circuits
- osmosis plants
- electroplating / photo industry
- agriculture / gardening
- filling plants / washing plants

## Models:

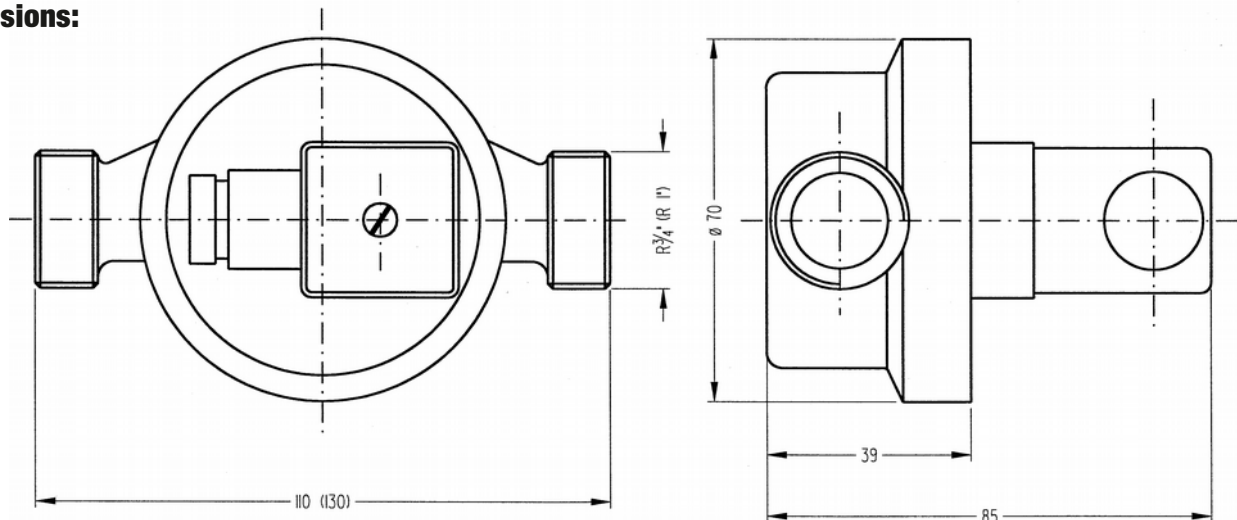
G 3/4 male: measuring range: 50...3000 l/h\*  
flow range: 30...3000 l/h\*

G 1 male: measuring range: 100...5000 l/h\*  
flow range: 50...5000 l/h\*  
(\*water at 21 °C)

## Technical Data:

<b>Measuring range:</b> (water at 21 °C)	50...3000 l/h 100...5000 l/h
<b>Accuracy:</b>	+/- 2 % of average value
<b>Repeatability:</b>	+/- 0,8 %
<b>Serial dispersion:</b>	Max. +/- 2 %
<b>Max. process pressure:</b>	10 bar
<b>Max. process temp.:</b>	-10...80 °C
<b>Bearing:</b>	jewel bearing with centering ring
<b>Viscosity:</b>	1...10 cSt
<b>Process connection:</b>	2 x G 3/4 male or 2 x G 1 male
<b>Materials:</b>	
housing:	brass
bearing / rotor:	PA 66
pivot:	stainless steel
magnets:	ceramic bond
gaskets:	NBR
<b>Electrical connection:</b>	angle plug acc. to EN 175301-803A
<b>Power supply:</b>	4,5...24 VDC
<b>Output signals:</b>	rectangular pulse, Push-Pull or 4...20 mA, analogue output
<b>Output current:</b>	Max. 11 mA at 24 VDC
<b>Mounting position:</b>	horizontal with plug on top, flow direction of arrow
<b>Weight:</b>	ca. 500 g
<b>Protection class:</b>	IP65

## Dimensions:



## Order Code:

Order number: DR58. 1. P. 0

Brass paddle wheel flowmeter

### Process connection / Measuring ranges:

1= G 3/4 male / 50...3000 l/h, 77,6 pulses/l  
2= G 1 male / 100...5000 l/h, 45,6 pulses/l

### Output signal:

P = Push-Pull (frequency output)  
A = analogue output 4...20 mA  
9 = prepared for control unit AZ50

### Options:

0 = without  
9 = please specify in plain text

## Accessory:

AZ50 control unit with comfortable display, analogue output switching points, etc.



AZ50 mounted on flow meter DR58