

AZ30

Digital Display Unit for Panel Mounting, Current Loop Operation, 4 Digits

- without additional power supply
- individually programmable
- alarming function
- limit switch outputs
- min/max memory
- adaption of characteristic curve



Description:

The panel mounted devices of the AZ30 series are designed for display and evaluation of the 4...20 mA standard signal common in industry. They are inserted directly into the current loop off the sensor and therefore require no additional auxiliary power. By using FotoMOSFETs, which switch almost without power, two alarm outputs can be realized even with these devices. By adjustable flashing of the display the under – or over- exceeding of the two adjustable limit values is visualized – also visible over larger distances. Non-linear sensor signals can be linearized via up to 10 calibration points. In addition, a min / max memory is available. The devices are available in 3 different housing designs, so that the most diverse requirements can be met.

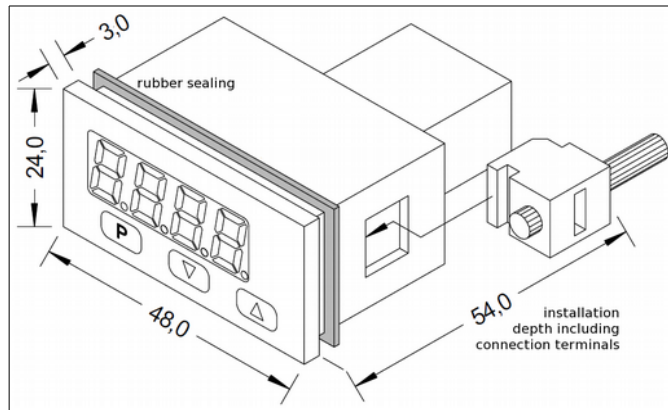
Typical applications:

The devices can be used wherever measured values are transmitted in the 4...20 mA current loop technology. Since no additional auxiliary power is required, the connection is extremely simple and can be made at any point along the transmission path without any further installation work.

Models:

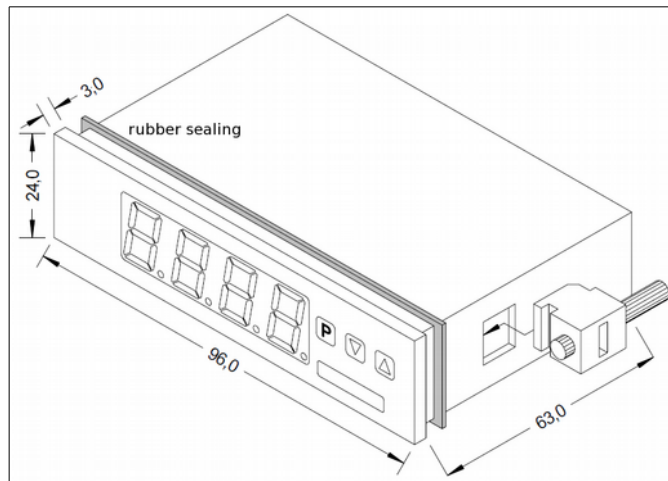
AZ30.1:

48 x 24 mm, for panel cut-out 45,0 x 22,2 mm:



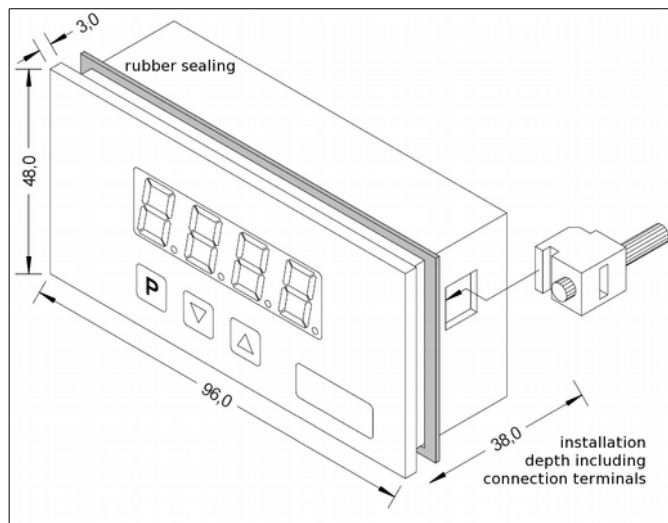
AZ30.2

96 x 24 mm, for panel cut-out 92,0 x 22,2 mm:



AZ30.3

96 x 48 mm, for panel cut-out 92,0 x 45,0 mm:



Order Code:

Order number:

AZ30. 1. 0

Digital display unit for panel mounting,
current loop operation, 4 digits

Models:

- 1 = installation dimension 48 x 24 mm
- 2 = installation dimension 96 x 24 mm
- 3 = installation dimension 96 x 48 mm

Switching outputs (not for version 1):

- 0 = without
- R2 = with 2 FotoMOSFET outputs

Technical Data:

Input:

nominal current 4..20 mA
min. 3,5 ... max 21 mA

Voltage drop:

ca. 5 V without switching outputs
ca. 8 V with switching outputs

Switching output:

potential free FotoMOSFETs,

Switching capacity:

max. 30 VAC/DC; max. 400 mA,

Dielectric strength:

max. 400 V permanent
max 1800 V 1 minute.

Display:

4-digits LED-Display,
version 1: digit height 10 mm
versions 2 and 3: 14 mm height.

Range:

-1999 ... 9999

Integration time:

0,1 ... 10 seconds

Housing:

polycarbonate black
gasket EPDM black

Protection class:

front IP65 standard
rear side IP00

Temperature:

Working temperature: 0 ... +60 °C

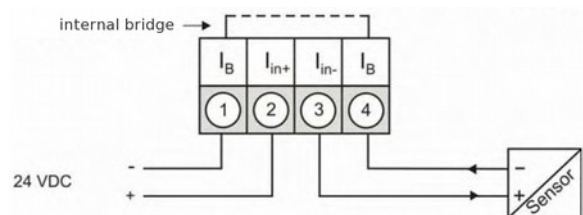
Storage temperature: -20 ... +80 °C

Memory:

EEPROM, data retention > 100 years

Electrical Connection:

AZ30.1



AZ30.2 und AZ30.3

