

AZ05

Analogue Transmitter with LCD Display for Flowmeters

- **backlit LCD display**
- **analogue output 4-20 mA or 0-10 V**
- **2 switching points**
- **programmable hysteresis**
- **stainless steel housing**
- **bright signal LED**
- **display cover made of hardened mineral glass**



Description:

The Hall sensor integrated in the robust stainless steel housing detects the position of a magnet integrated in the float and generates an analogue signal proportional to the instantaneous flow value. In addition, two switching outputs are available which can be programmed as min or max contacts. The switching points, hysteresis and measuring span are also adjustable. A bright LED that is still easily visible even under unfavourable lighting conditions draws attention to error status or switching points being exceeded or not reached. The graphic 32x16 pixel display is easy to read both in darkness and in direct light thanks to its integrated backlighting.

Typical applications:

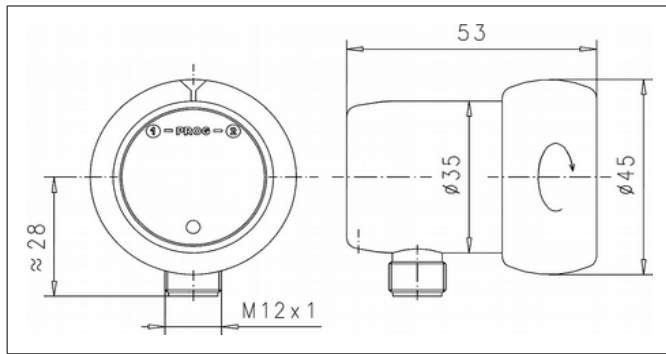
The analogue transmitters of the type series AZ05 are used in combination with the following flow meters:

**DS02, DS04, DS06, DS08, DK04,
DR04, DTH04, DTH08, DV08**

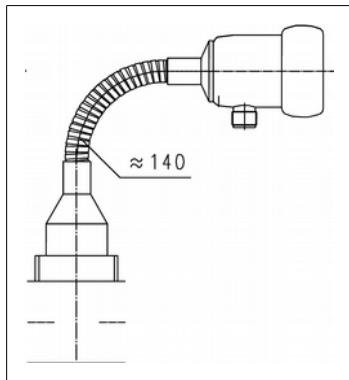
Flow meters and analogue transmitters form a unit and are factory calibrated and configured to customer specifications, so they are immediately ready for use without programming.

Dimensions:

AZ05.4.1.0:

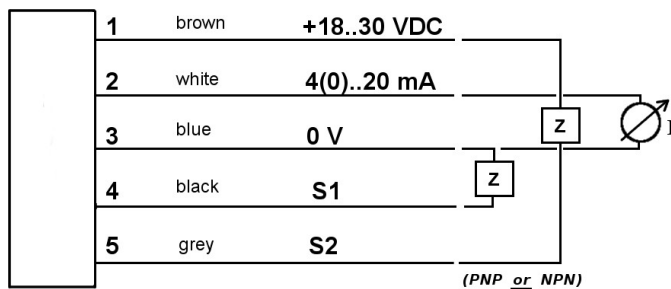


AZ05.4.1.1.SW:



Version with gooseneck

Electrical Connection:



Advice:

Flow meters and analogue transmitters are calibrated at the factory and cannot be exchanged.

Order Code:

Order number: **AZ05.4.1.0**

Analogue transmitter with LCD display for flow meters

Models:

4 = LCD display, 2 switching outputs
analogue output

Output signal:

I = current output 4...20 mA
U = voltage output 0...10 V

Options:

0 = without
SW = gooseneck version
9 = please specify in plain text

Technical Data:

Display:

graphic, trans-reflective LCD
32 x 16 pixels with illumination.
display of value and dimension (unit selectable).
reading position (almost) 360° rotatable.

LED:

bright red signal lamp, flashes when signal is given

Analogue output:

current output: 4...20 mA (adjustable)
max. load/current: 500 Ohm, 10 mA
voltage output: 0...10 V, min. 1 kOhm

Switching output:

number: 2, short-circuit proof, reverse polarity protected
type: push-pull outputs self-configuring, NPN or PNP, as MIN or MAX programmable
load: 300 mA max. in total
hysteresis: selectable in amount and direction

Programming:

switching points, hysteresis, measuring span via rotary ring

Power supply:

24 VDC (18..30 V)

Power consumption:

< 1 W

Connection:

round plug M12 x 1, 5 pol.

Protection class:

IP67

Accuracy:

± 3 % of full scale (depending of flow meter)

Reproducibility:

± 1 % of full scale

Operating temp.:

-20...+70 °C
up to 120°C with gooseneck

Storage temp.:

-20...+80 °C

Material:

body: stainless steel 1.4305
class: hardened mineral glass
magnet: cobalt samarium
ring: POM