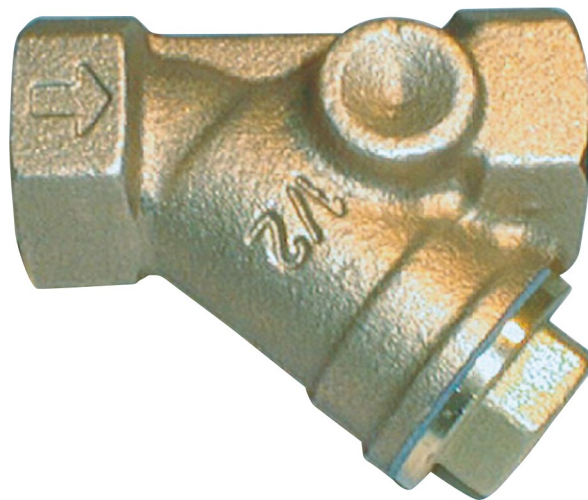




Instruction Manual

SF00 / SF01

Y-Strainer made of brass or stainless steel



PKP Prozessmesstechnik GmbH
Borsigstraße 24
D-65205 Wiesbaden-Nordenstadt
Tel.: ++49-(0)6122-7055-0
Fax: ++49-(0)6122-7055-50
Email: info@pkp.de

Table of Contents

Safety Information.....	2
Installation and Commissioning.....	4
Functional check.....	5

Safety Information

General Instructions

To ensure safe operation, the device should only be operated according to the specifications in the instruction manual. The requisite Health & Safety regulations for a given application must also be observed. This statement also applies to the use of accessories. Every person who is commissioned with the initiation or operation of this device must have read and understood the operating instructions and in particular the safety instructions!

The liability of the manufacturer expires in the event of damage due to improper use, non-observance of this operating manual, use of insufficiently qualified personnel and unauthorized modification of the device.

Proper Usage

The SF00 and SF01 series strainers are used to filter out contamination from media. The cleaning efficiency of these models depends on the size of the mesh. In addition, the SF01 has a magnetic insert which protects measuring instruments with magnetic components against ferritic substances.

Only media against which the housing and sealing materials used are resistant may be used. Contaminated media or applications outside the pressure and temperature specifications can lead to damage to the housing and in particular to the seals.

The strainers are used for liquids, gases, vapours, water, mineral oil, gear oil, heating oil and hydraulic oil. Any other use of the strainer is not permitted and is outside the scope of application.

Dangerous substances

For dangerous media such as e.g. Oxygen, Acetylene, flammable or toxic substances as well as refrigeration systems, compressors, etc. must comply with the relevant regulations beyond the general rules.

Qualified Personnel

The SF00/SF01 devices may only be installed by trained, qualified personnel who are able to mount the devices correctly. Qualified personnel are persons, who are familiar with assembling, installation, placing in service and operating these devices and who are suitably trained and qualified.

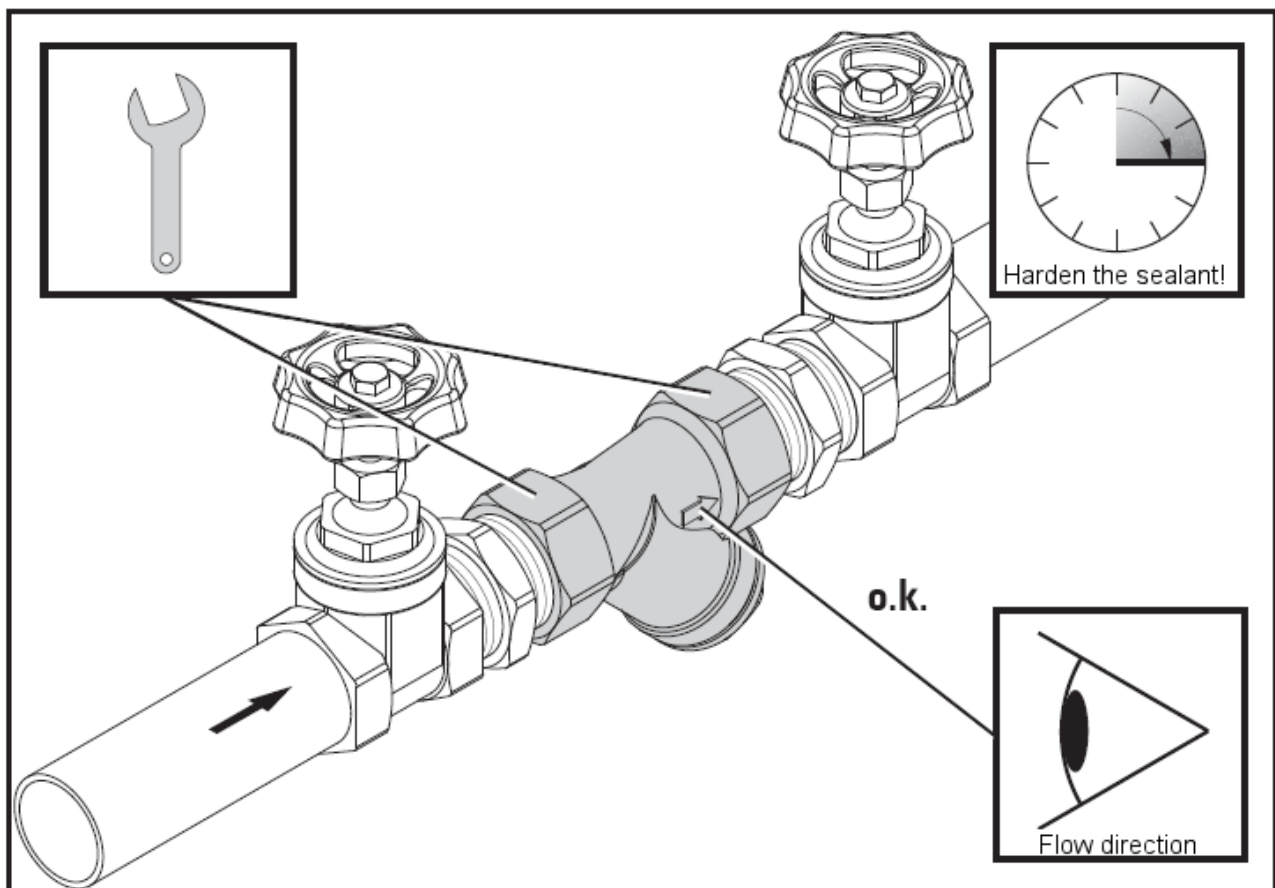
Inward Monitoring

Please check directly after delivery the device for any transport damages and deficiencies. Additional with reference to the accompanying delivery note the number of parts must be checked.

Claims for replacement or goods which relate to transport damage can only be considered valid if the delivery company is notified without delay.

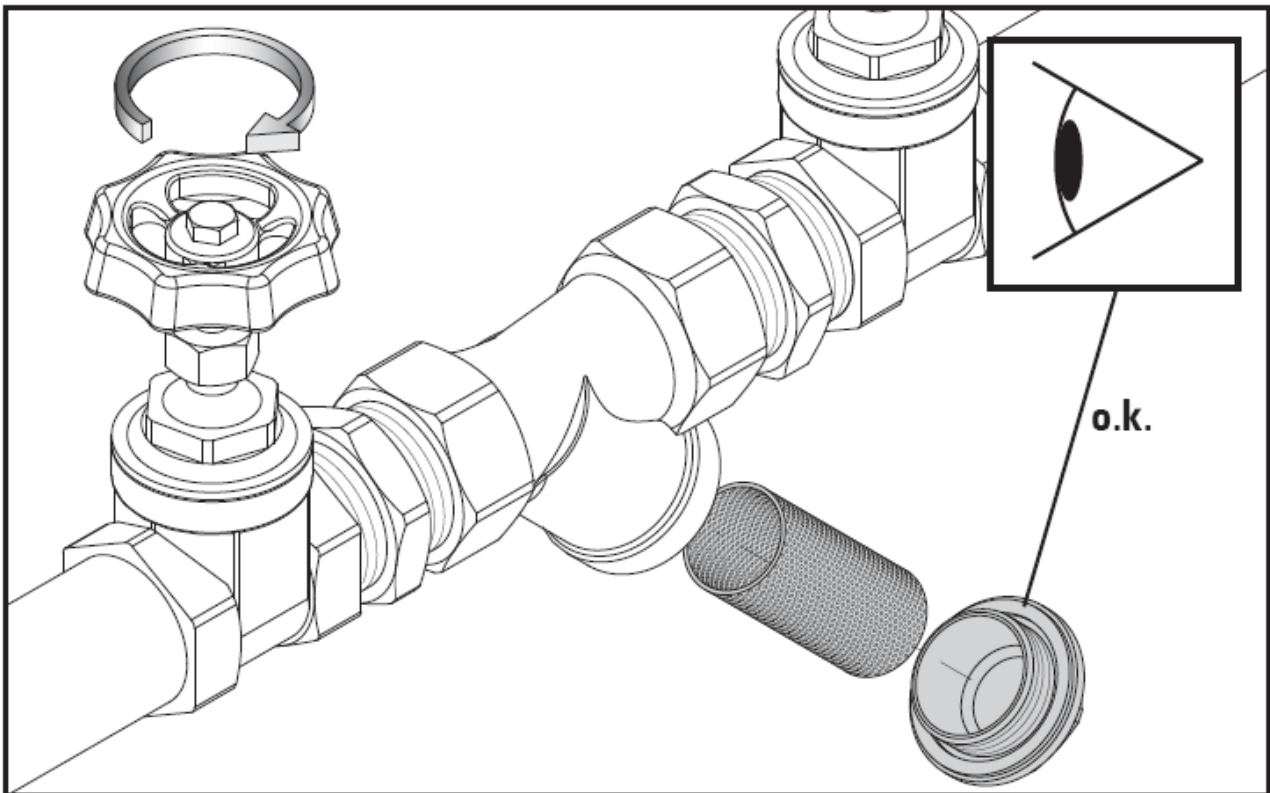
Installation and Commissioning

- Observe the flow direction indicated on the body. The screw-in part should point downwards so that dirt can fall out of the body during cleaning and cannot get into the pipes.
- We recommend installing a shut-off valve upstream and downstream of the strainer so that the strainer can be cleaned without draining the plant.
- If necessary, remove all transport locks and packaging residues (e.g. caps or plugs). Make sure that there are no packaging parts or other objects left in the fitting.
- Clean the piping system before installation
- Avoid distortion due to non-aligned pipelines.
- Before applying sealing materials, test whether the pipeline can be easily screwed into/onto the valve body.
- Apply suitable sealing material to the pipe ends. Observe the screw-in direction for PTFE sealing tape or hemp seals. Do not use any sealing material that is not suitable for your application.
- Screw the pipeline into/onto the threaded ends of the fitting.
- Apply pressure of the pipeline only after the curing time specified by the sealant manufacturer.
- Check all connections for leaks.



Functional check

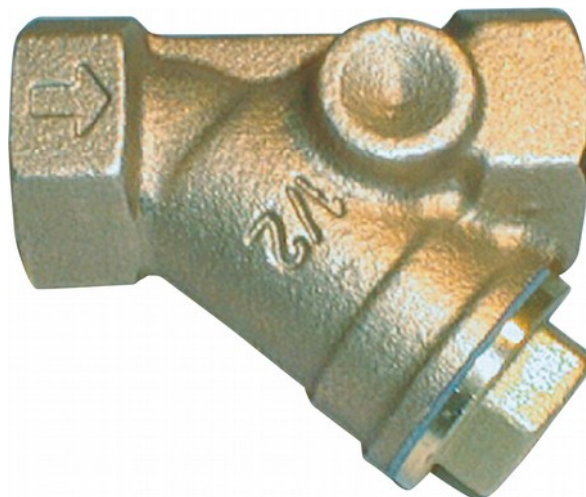
- Shut off the flow medium and release the residual pressure.
- Provide suitable collecting containers in order to be able to collect leaking medium.
- Carefully loosen the cover of the strainer. Collect any leaking medium. Remove the cover and pull the strainer insert out of the housing.
- Clean the housing and the sieve insert or replace them with a new one.
- Slide the sieve insert back into the strainer housing.
- Screw the cover into the housing. Make sure that the sealing ring is correctly seated in the cover and that there is no dirt on the sealing ring or the sealing surface.
- Tighten the cover firmly with a suitable open-end wrench.
- Check all connections for leaks.



SF00

Y-Strainer made of Brass or Stainless Steel

- **robust design, simple installation**
- **nominal sizes from G 1/4 to G 4 female**
- **filter fineness of 1,0 mm to 0,25 mm**
- **max. pressure: 40 bar**
- **max. temperature: 180 °C**



Description:

The Y-strainers of the SF00 series are designed as angle seat filters and provide reliable protection against damage to the devices installed in the pipeline caused by impurities in the medium. Dirt is filtered out of the process by means of a built-in sieve. By selecting a fine filter with a particularly small mesh size, even the smallest dirt particles can be reliably removed.

Typical applications:

For liquids, gases and steams, water, mineral-, gear-, heating- and hydraulic oil etc..
The Y-strainers are used to protect pumps, gearboxes and flowmeters.

Models:

brass version:

- standard filter:** 0,5 mm filter unit (for G 1/4 to G 2)
0,8 mm filter unit (from G 2 1/2)
- fine filter:** 0,3 mm filter unit up to G 2

stainless steel version:

- standard filter:** 0,5 mm filter unit (for G 1/2 to G 2)
1,0 mm filter unit (from G 2 1/2)
- fine filter:** 0,25 mm filter unit (double sieve)
0,5 mm filter unit (ab G 2 1/2)

Materials:

brass version: housing: brass MS58
cover: brass MS58
sieve cylinder: stainless steel 1.4301
cover gasket: NBR
cellulose with NBR
(from G 2 1/2)

stainless steel version: housing: stainless steel 1.4408
cover: stainless steel 1.4408
sieve cylinder: stainless steel 1.4301
cover gasket: PTFE

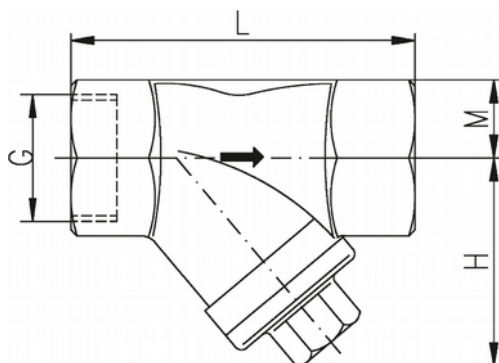
Technical Data:

max. pressure: brass version: 20 bar
G 2 1/2 to G 4: 16 bar
stainless steel version: 40 bar

max. medium-temperature: brass version: 90 °C
stainless steel version: -20 °C
to +180 °C

Dimensions:

Brass version:



G	1/4	3/8	1/2	3/4	1	1 1/4	1 1/2	2	2 1/2	3	4
L	55	55	58	70	87	96	106	126	150	169	219
H	40	40	40	48	56	64	73	89	107	120	161

Order Code:

Order number: SF00. 1. 4. 1. 0

Y-strainer

Material:

- 1 = brass*
2 = stainless steel

Process connection:

- 0 = female thread G 1/4 (not in stainless steel)
1 = female thread G 3/8 (not in stainless steel)
2 = female thread G 1/2
3 = female thread G 3/4
4 = female thread G 1
5 = female thread G 1 1/4
6 = female thread G 1 1/2
7 = female thread G 2
8 = female thread G 2 1/2
9 = female thread G 3
10 = female thread G 4 (not in stainless steel)

Filter unit:

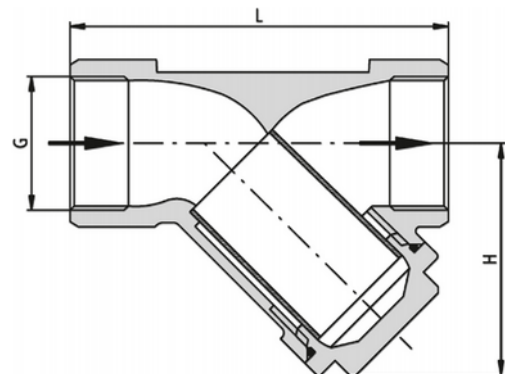
- 1 = standard filter sieve
2 = fine filter

Options:

- 0 = without
9 = please specify in plain text

* with filter fineness 0,3 mm nickel-plated brass

Stainless steel version:

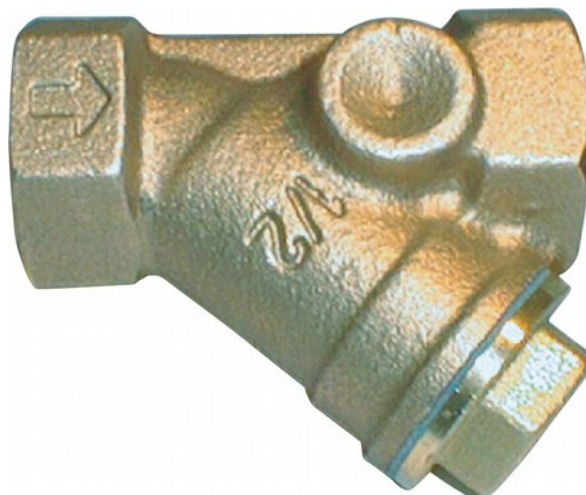


G	1/2	3/4	1	1 1/4	1 1/2	2
L	125	15,5	18,5	23	26,5	33,5
H	42,5	49	57,5	65	74	84

SF01

Y-Strainer with Magnetic Separator

- for pipelines G 1/2 to G 2
- filter fineness 0,6 or 0,25 mm
- compact design
- max. pressure: 16 bar,
max. temperature: 150 °C
- red brass or stainless steel
version



Description:

The Y-strainers of the SF01 series are designed as angle seat filters and provide reliable protection against damage to the devices installed in the pipeline caused by impurities in the medium. Especially measuring instruments with magnetic components can be protected against interference by ferritic particles by filters with magnetic separators.

Typical applications:

For liquids, gases and steams up to 150 °C. Water, mineral, gear, heating and hydraulic oil, etc..
For the protection of pumps, gears and flowmeters.

Models:

Versions:

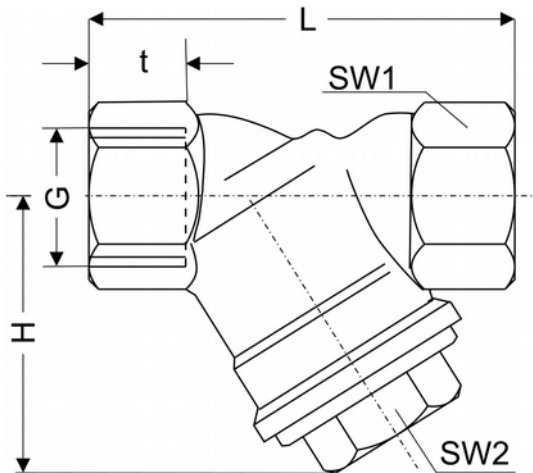
with magnetic separator

for pipelines from G 1/2 to G 2,
filter fineness 0,25 mm and 0,6 mm

Materials:

red brass or stainless steel

Dimensions:



Type	G	L [mm]	T [mm]	H [mm]	SW1	SW2
SF01.2.x.2	1/2	64	12	42	25	22
SF01.2.x.3	3/4	75	14	50	31	27
SF01.2.x.4	1	90	15	62	38	32
SF01.2.x.5	1 1/4	112	18	78	47	41
SF01.2.1.6	1 1/2	120	18	82	54	46
SF01.2.1.7	2	150	22	95	66	56

Order Code:

Order number **SF01. 2. 1. 3. 1**

Y-strainer with magnetic separator

Version:

2 = with magnetic separator

Material:

1 = red brass (for nominal sizes 1/2" to 2" only)

3 = stainless steel (for nominal sizes 1/2" to 1 1/4" only)

Connection:

2 = female thread G 1/2

3 = female thread G 3/4

4 = female thread G 1

5 = female thread G 1 1/4

6 = female thread G 1 1/2 (not in stainless steel)

7 = female thread G 2 (not in stainless steel)

Filter fineness:

1 = 0,6 mm (standard)

2 = 0,25 mm (for red brass only)

Technical Data:

max. medium-temperature: 150 °C

max. pressure: PN 16

Materials:

housing: red brass or stainless steel

sieve insert: stainless steel

magnet system: ferrit