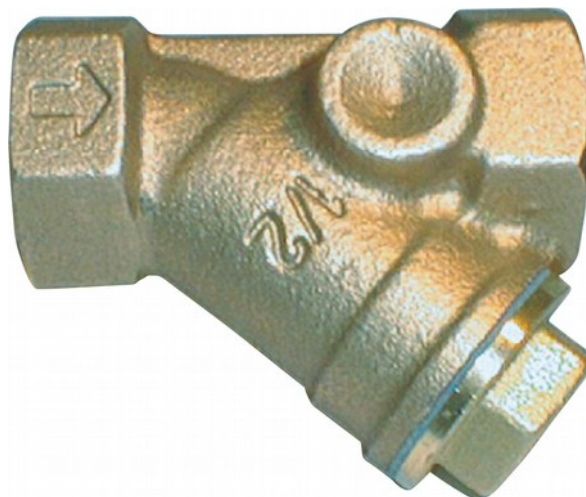


# SF00

## Y-Strainer made of Brass or Stainless Steel

- **robust design, simple installation**
- **nominal sizes from G 1/4 to G 4 female**
- **filter fineness of 1,0 mm to 0,25 mm**
- **max. pressure: 40 bar**
- **max. temperature: 180 °C**



### Description:

The Y-strainers of the SF00 series are designed as angle seat filters and provide reliable protection against damage to the devices installed in the pipeline caused by impurities in the medium. Dirt is filtered out of the process by means of a built-in sieve. By selecting a fine filter with a particularly small mesh size, even the smallest dirt particles can be reliably removed.

### Typical applications:

For liquids, gases and steams, water, mineral-, gear-, heating- and hydraulic oil etc..  
The Y-strainers are used to protect pumps, gearboxes and flowmeters.

## Models:

### brass version:

- standard filter:** 0,5 mm filter unit (for G 1/4 to G 2)  
0,8 mm filter unit (from G 2 1/2)
- fine filter:** 0,3 mm filter unit up to G 2

### stainless steel version:

- standard filter:** 0,5 mm filter unit (for G 1/2 to G 2)  
1,0 mm filter unit (from G 2 1/2)
- fine filter:** 0,25 mm filter unit (double sieve)  
0,5 mm filter unit (ab G 2 1/2)

## Materials:

**brass version:** housing: brass MS58  
cover: brass MS58  
sieve cylinder: stainless steel 1.4301  
cover gasket: NBR  
cellulose with NBR  
(from G 2 1/2)

**stainless steel version:** housing: stainless steel 1.4408  
cover: stainless steel 1.4408  
sieve cylinder: stainless steel 1.4301  
cover gasket: PTFE

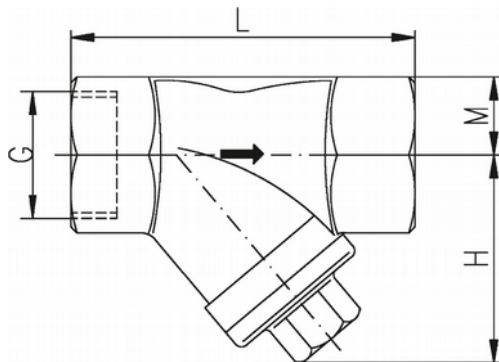
## Technical Data:

**max. pressure:** brass version: 20 bar  
G 2 1/2 to G 4: 16 bar  
stainless steel version: 40 bar

**max. medium-temperature:** brass version: 90 °C  
stainless steel version: -20 °C  
to +180 °C

## Dimensions:

### Brass version:



G	1/4	3/8	1/2	3/4	1	1 1/4	1 1/2	2	2 1/2	3	4
L	55	55	58	70	87	96	106	126	150	169	219
H	40	40	40	48	56	64	73	89	107	120	161

## Order Code:

Order number: SF00. 1. 4. 1. 0

### Y-strainer

### Material:

- 1 = brass\*  
2 = stainless steel

### Process connection:

- 0 = female thread G 1/4 (not in stainless steel)  
1 = female thread G 3/8 (not in stainless steel)  
2 = female thread G 1/2  
3 = female thread G 3/4  
4 = female thread G 1  
5 = female thread G 1 1/4  
6 = female thread G 1 1/2  
7 = female thread G 2  
8 = female thread G 2 1/2  
9 = female thread G 3  
10 = female thread G 4 (not in stainless steel)

### Filter unit:

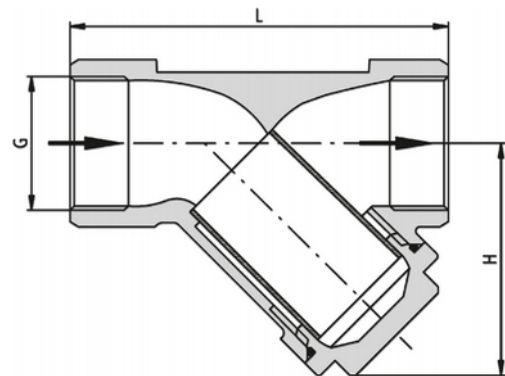
- 1 = standard filter sieve  
2 = fine filter

### Options:

- 0 = without  
9 = please specify in plain text

\* with filter fineness 0,3 mm nickel-plated brass

### Stainless steel version:



G	1/2	3/4	1	1 1/4	1 1/2	2
L	125	15,5	18,5	23	26,5	33,5
H	42,5	49	57,5	65	74	84