

# DSxx...A.4.I

## Analog transmitter for flowmeters with LCD-display

- Backlit LCD-display
- Analog output 4-20 mA
- 2 switching points
- Programmable hysteresis
- Stainless steel case
- Bright signal-LED
- Display cover made of hardened mineral glass



### Description:

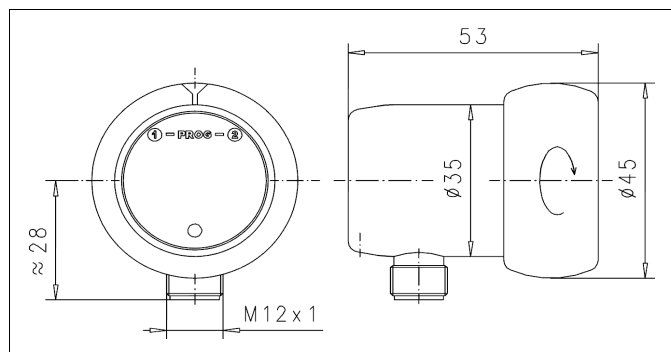
A Hall-sensor integrated in a robust stainless steel housing detects the position of an internal magnet of the variable area flowmeter and generates an analogue electrical signal proportional to the current flow. In addition two switching outputs are available which can be programmed as Min or Max contacts. Hysteresis, switching points, and span of measurement can also be adjusted. A bright red signal LED, also visible in difficult lighting conditions, indicates errors and transgression of switching points. The graphical display of 32x16 pixels is well readable either in direct sunlight or in the darkness thanks to its integrated illumination.

### Typical Application:

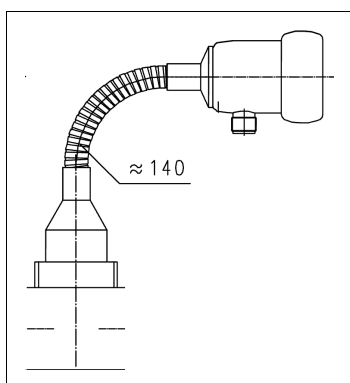
The analog transmitter DSxx...A.4.I are used in combination with the variable area flowmeters of type DS02, DS04, DS06, or DS08. Flowmeter and analog transmitter are aligned and adjusted individually. They are configured according to the specifications of the customer and therefore immediately ready for use without further programming.

## Dimensions:

### DSxx...A.4.1.0:

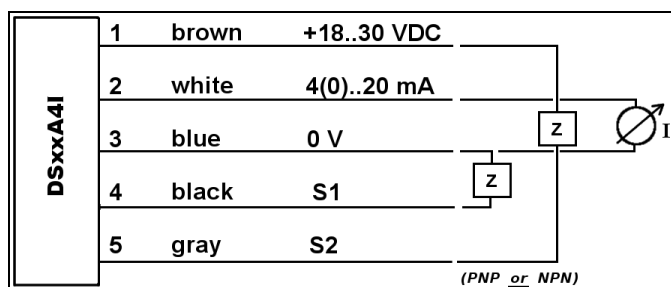


### DSxx.A.4.1.1.SW:



Gooseneck Version

## Electrical connection:



## Note:

The analog transmitter and the variable area flowmeter are aligned by factory settings and it is not possible to interchange them.

## Model Coding:

Order Number: DSxxA .4 .I .0  
 Analog transmitter for DSxx with LCD-display  
 (xx = model code of flowmeter)

Models:  
 4 = LCD-Display, 2 switching outputs  
 analog output

Output signal:  
 I = Current output 4..20 mA

Options:  
 0 = Without  
 SW = Gooseneck version

## Technical Specifications:

**Display:** Grafical, transreflective LCD  
 32 x 16 pixels, backlit.  
 Indication of value and dimension (unit selectable).  
 Turnable position, nearly 360°

**LED:** Bright red indicating lamp, flashes on message

**Analog output:**  
 Current: 4(0)..20 mA (programmable)  
 Max. load: 500 Ohm  
 Max. current: 10 mA

**Switching output:**  
 Number: 2, short-circuit proof, reverse-polarity protected  
 Type: Push-Pull-outputs, selfconfiguring, NPN or PNP, as MIN or MAX contacts programmable  
 Load: 300 mA max. in total  
 Hysteresis: selectable in magnitude and direction

**Programming:** Switching point, hysteresis, span by programming ring

**Operating voltage:** 24 VDC (18..30 V)

**Power consumption:** < 1 W

**Connection:** Round plug M12 x 1, 5 pol.

**Protection:** IP 67

**Accuracy:** ± 3 % F.S. (depends on flowmeter)

**Repeatability:** ± 1 % F.S.

**Operating temperature:** -20..+70 °C  
 up to 120°C with gooseneck

**Storage temperature:** -20..+80 °C

**Material:**  
 Body: Stainless steel 1.4305  
 Glass: Hardened mineral crystal  
 Magnet: Cobalt Samarium  
 Ring: POM