

DS51

OEM Piston Type Flow Switch for Low Flow Applications

- for low-viscosity liquids
- low-cost model
- switching point factory-set between 0.1 and 2.5 l/min
- small, compact design
- enclosure made of brass, nickel-plated brass or stainless steel; piston made of POM
- available for all mounting positions



Description:

The model DS51 flow monitors are rugged, heavy duty devices that are to a great extent immune to faults. A piston with integrated permanent magnet is forced by the flow against a stainless steel spring in the direction of flow and actuates a reed switch attached to the enclosure. The reed contact closes upon flow and opens when the flow drops below a preset value.

Typical Applications:

DS51 flow monitors are typically used where there is a need to economically monitor flows of low viscosity liquids.

Common applications include:

- cooling circuits
- heating systems
- welding equipment
- laser cooling equipment
- etc.

Models:

DS51.M...:	brass enclosure
DS51.MN...:	brass enclosure, nickel-plated
DS51.E...:	stainless steel enclosure

Process connections:

G 1/4 female thread, nipple for 8 mm hose

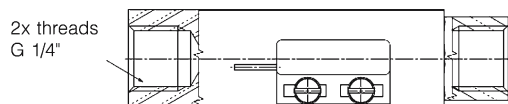
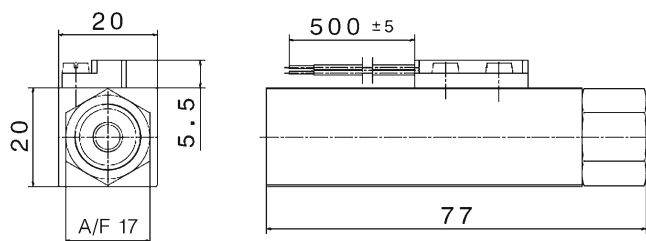
Setpoints:

Factory-set, between 0.1 and 2.5 l/min water, increasing or decreasing Flow

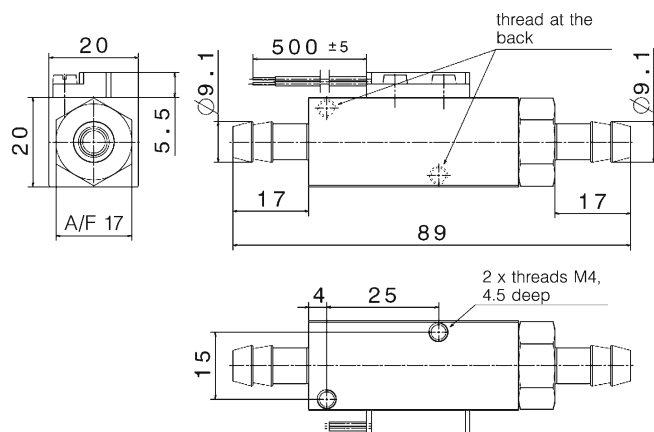
other materials, process connections and setpoints available on request

Dimensions:

DS51.-.GG08... (G 1/4 female at both ends)



DS51.-.SS08... (8 mm hose nipples at both ends)



Model Coding:

Order number: DS51. M. GG08. F0,5. 0

Piston-type flow monitor

Model:

M	= brass enclosure, POM piston
MN	= nickel-plated brass enclosure POM piston
E	= stainless steel enclosure, POM piston
S	= special version

Process connection:

GG08	= G 1/4 female thread at both ends
GS08	= inlet G 1/4 female, outlet hose connector, 8 mm
SG08	= inlet hose connector, 8 mm, outlet G 1/4 female
SS08	= inlet hose connector, 8 mm, outlet hose connector, 8 mm
S	= special version

Setpoint (xx = 0.1 - 2.5 l/min, please specify):

Fxx	= falling flow
Sxx	= rising flow

Special features:

0	= none
9	= please specify separately

Custom devices with higher setpoints, lower pressure drops or other fittings available on request.

Minimum order quantity: 10 devices

Specifications:

Materials:

Enclosure: brass, nickel-plated brass or stainless steel

Piston: POM

Spring: stainless steel 1.4401

Magnet: hard ferrite OX300

Pressure drop: 1 bar at 2.5 l/min

Max. pressure: 25 bar

Max. temperature: 100 °C

Setpoints: 0.1...2.5 l/min water

Mounting position: any

Contact: reed contact, normally open (N/O), fully encapsulated, 200VDC / 1A / 15W

Electrical connection: 2-core cable, 50 cm